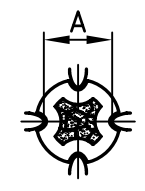
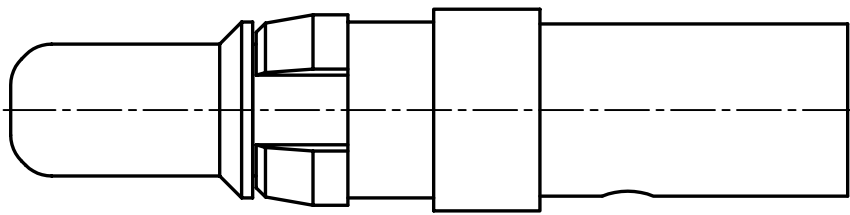
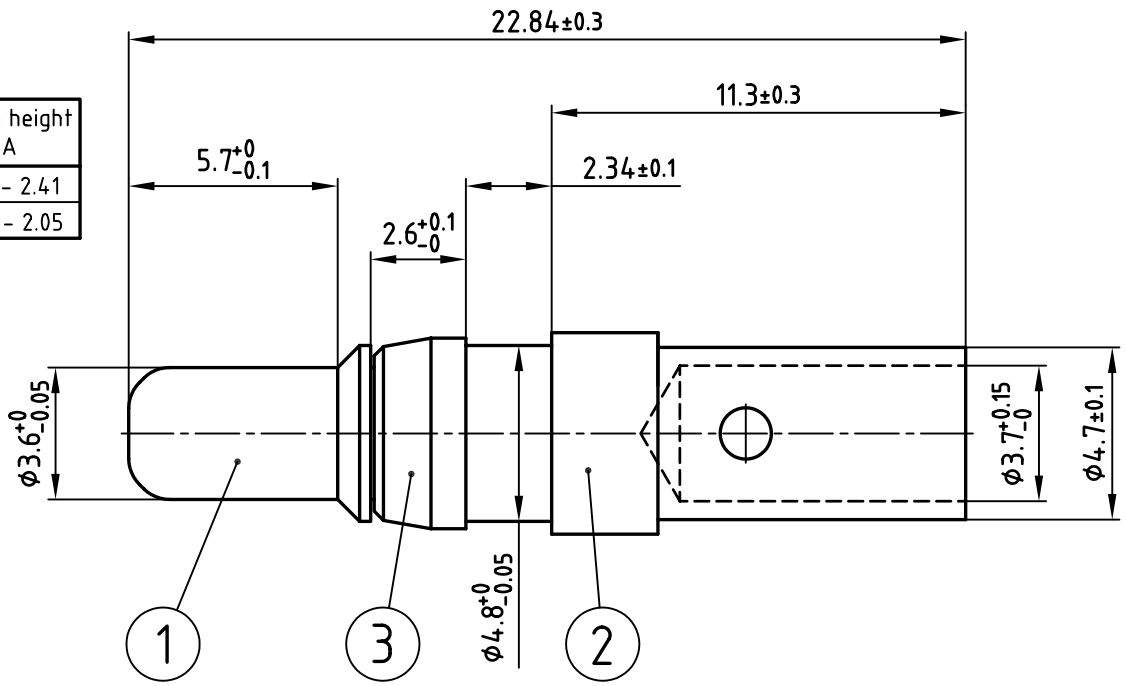


used for: D-SUB COMBINATION



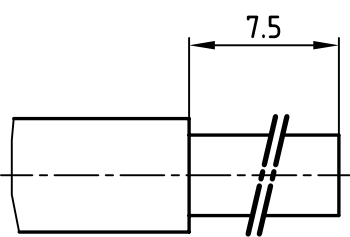
(c)

Selector settings	Crimp height A
7 for AWG 10	2.19 - 2.41
6 for AWG 12	1.94 - 2.05



Directive 2002/95/EC
"RoHS"
Compliant

(b) STRIPPING DIMENSIONS



NOTES:

- 1. MATERIAL: COPPER ALLOY
- 2. PLATING:
ITEM 1: min. 30µ" HARD GOLD OVER min. 50µ" NICKEL
ITEM 2: min. 8µ" HARD GOLD OVER min. 50µ" NICKEL
ITEM 3: NICKEL PLATED
- (b) 3. CRIMPING: USE CRIMP TOOL 360X10409X WITH TOOL INSERT 360X20029X
SELECTOR SETTINGS: 7 FOR AWG 10; 6 FOR AWG 12

THIS DRAWING MAY NOT BE COPIED OR REPRODUCED IN ANY WAY, AND MAY NOT BE PASSED ON TO A THIRD PARTY WITHOUT WRITTEN PERMISSION.
OWNERSHIP AND COPYRIGHT OF CONEC GmbH
DO NOT ALTER CAD DRAWING BY HAND

tolerance		ISO 2768-m	
1998	date	name	
drawn	23.03.	Barcinski	
appd.	23.03.	Mickenbecker	
norm			
d-old			
1 x c	Ä 2197	01.04.2005	Lehmen
2 x b	Ä 2177	02.03.2005	Lehmen
rev.	description	date	name



scale:	5:1	
material:	SEE NOTES	
title:	HIGH POWER CONTACT MALE CRIMP VERSION 30A D-SUB COMBINATION	
dwg no:	CAD/ REL.13	DIN-A
	13K11D3A	4
product no:	131C11039X	
		sh:1/2